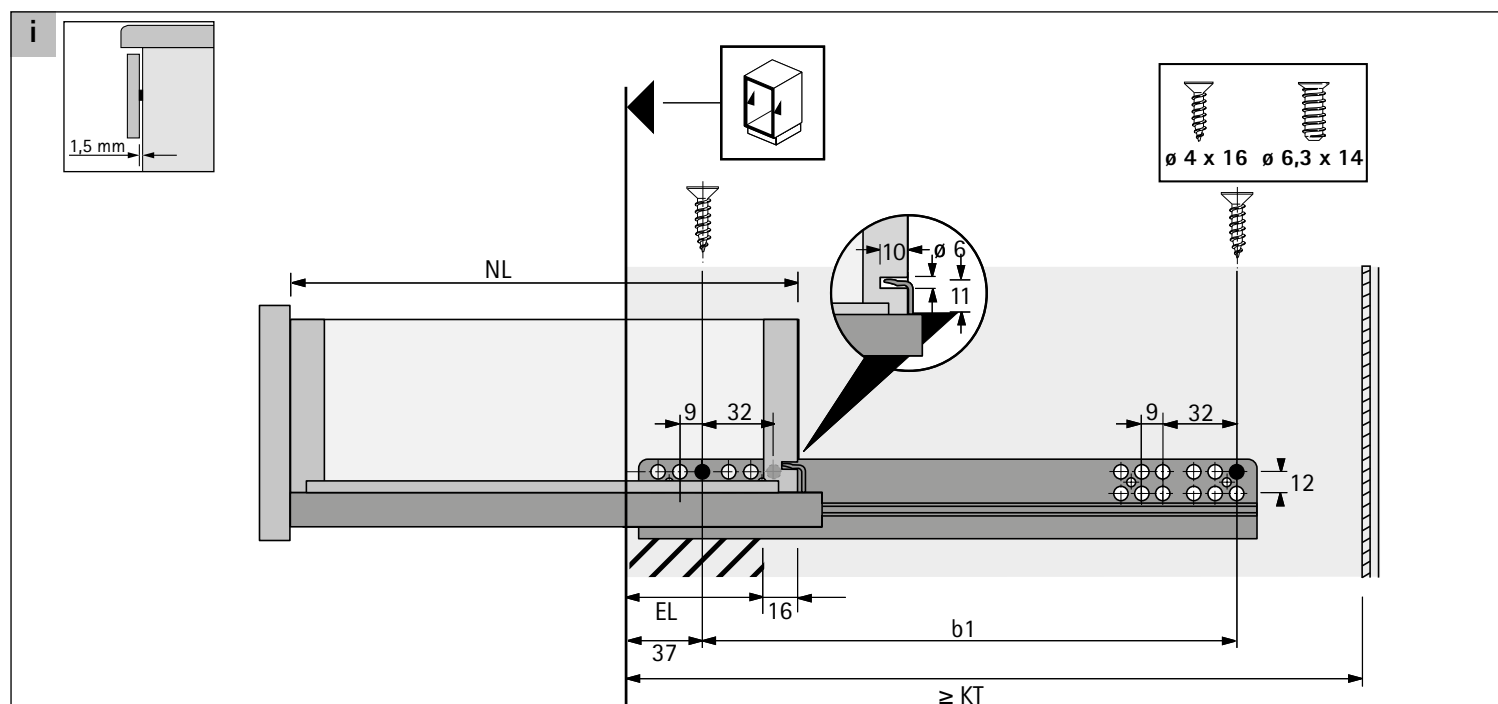
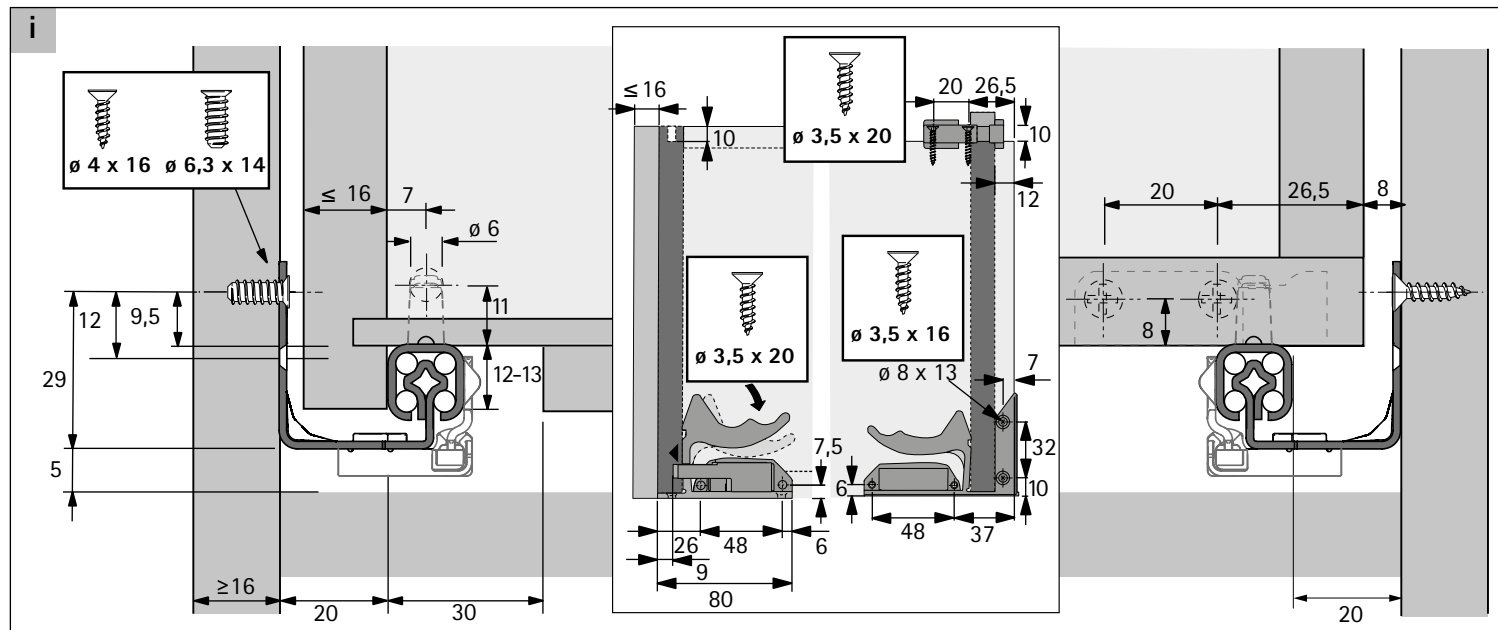


Quadro 25 Stop Control / Silent System Slide-on

Technik für Möbel



| NL mm | ≥ KT mm | EL mm | b1 mm |
|-------|---------|-------|-------|
| 250 | 263 | 50 | 160 |
| 280 | 293 | 50 | 160 |
| 300 | 313 | 50 | 160 |
| 320 | 333 | 62 | 192 |
| 350 | 363 | 62 | 192 |
| 380 | 393 | 62 | 224 |
| 400 | 413 | 74 | 224 |
| 420 | 433 | 74 | 224 |
| 450 | 463 | 86 | 256 |
| 480 | 493 | 86 | 256 |
| 500 | 513 | 98 | 288 |
| 520 | 533 | 98 | 288 |
| 550 | 563 | 98 | 320 |

